

2 IN 1 Tap Hand Dryer



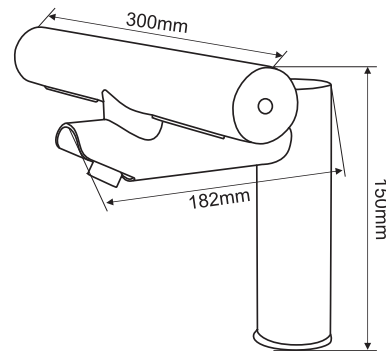
11.501

material: 304 stainless steel

finish: satin/black

FEATURES

- Drying hygienically and quickly
- Touch-free operation
- Energy saving
- Sustainability



Voltage	110–240V	Protection level	IPX1
Frequency	50/60Hz	Air temperature(10cm distance/20°C)	60°C
Total power	1800W	Drying time	10–15s
Motor Power	550W	Air Velocity	85m/s
Consumption	7.8A	r.p.m.	20000
Noice level	< 78dB	Automatic disconnection	30 seconds
Detection zone	6–25 cm. Preset 15 cm.	Dia. Of inlet pipe	G1/2" (Dn15)or G3/8"(Dn10)



Power:	DC 6V / AC 110 ~ 240V/50HZ
Power consumption:	DC 6V. 4AA alkaline batteries
Detection zone:	6-25 cm. Preset 15 cm
Ambient temperature:	0-45°C
Ambient humidity:	<95%RH
Dia. Of inlet pipe:	G1/2" (Dn15)or G3/8"(Dn10)
Degree of protection by enclosure:	IP56



19.103
material: brass
cold water



19.133
material: brass
cold water



19.104
material: brass
cold water



19.132
material: brass
cold water



19.105
material: brass
cold water



19.121
material:brass
cold water

AUTOMATIC FAUCETS



19.112
material: brass
hot/cold water adjustment



19.113
material: brass
hot/cold water adjustment



19.111
material: brass
hot/cold water adjustment



19.114
material: brass
hot/cold water adjustment



19.115
material: brass
hot/cold water adjustment



19.116
material: brass
hot/cold water adjustment



19.131
material: brass
cold water